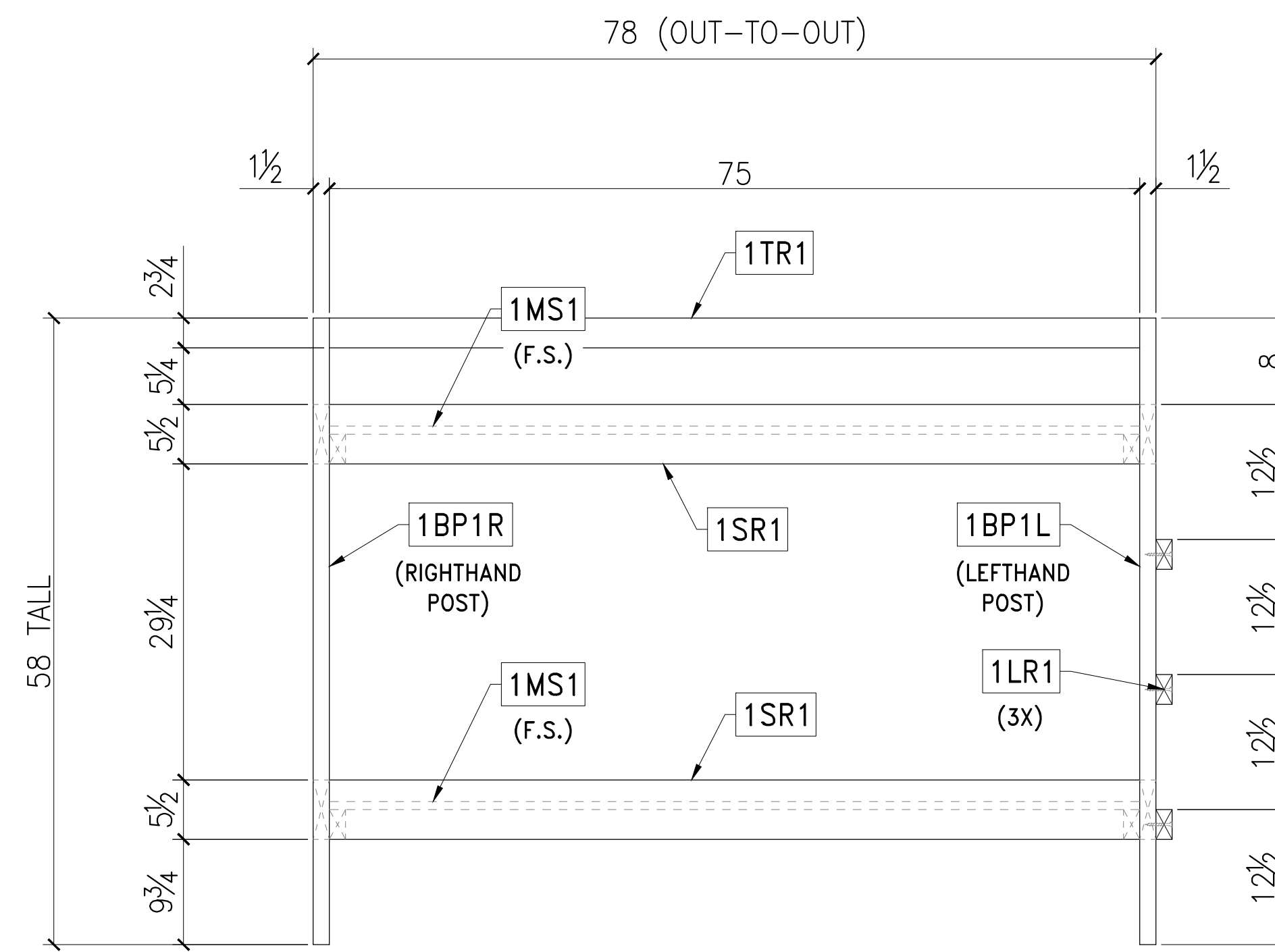


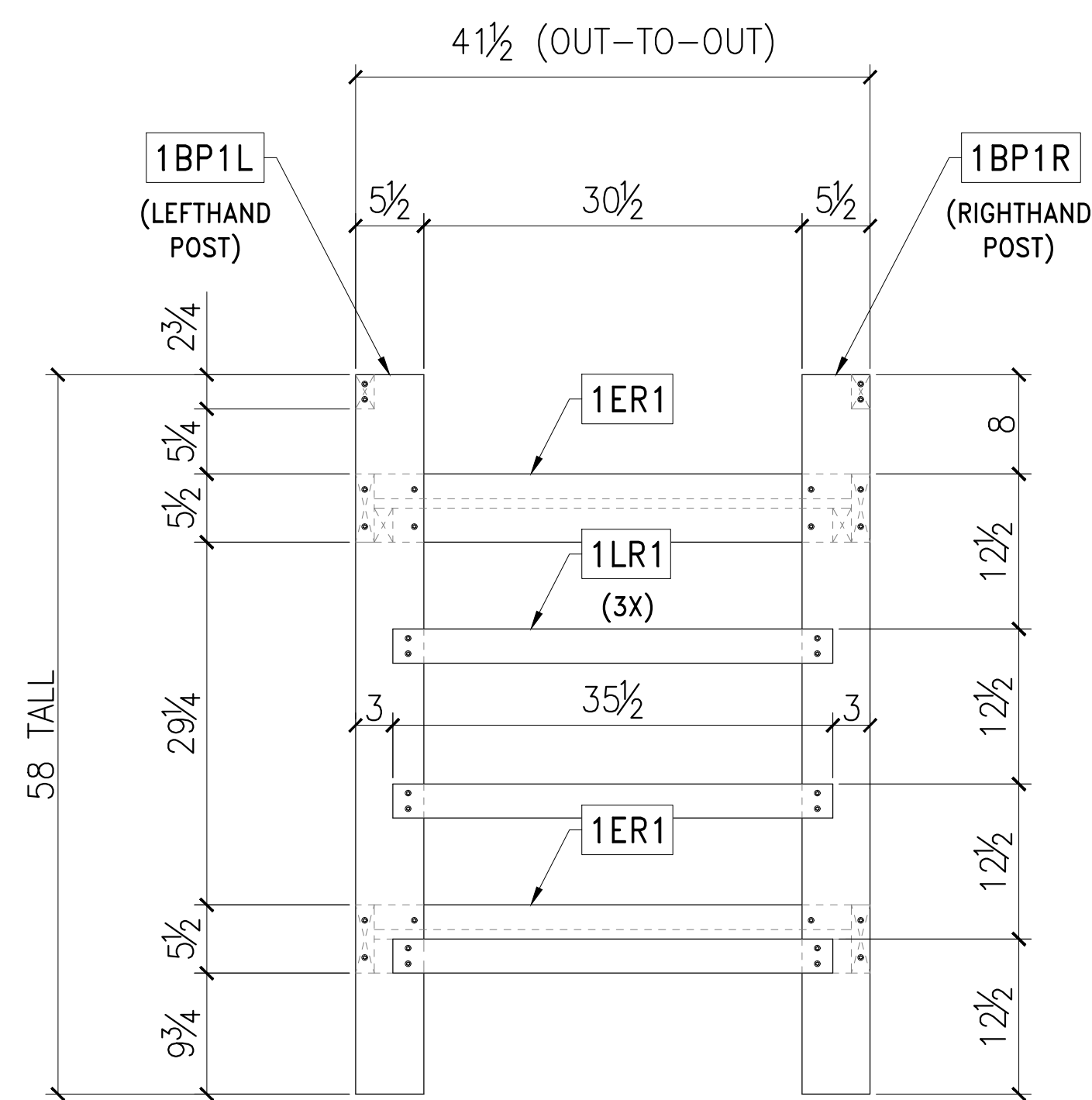
**BUNK BED FRAMING PLAN**

SCALE: 1=1'-0



**1 SIDE ELEVATION VIEW**

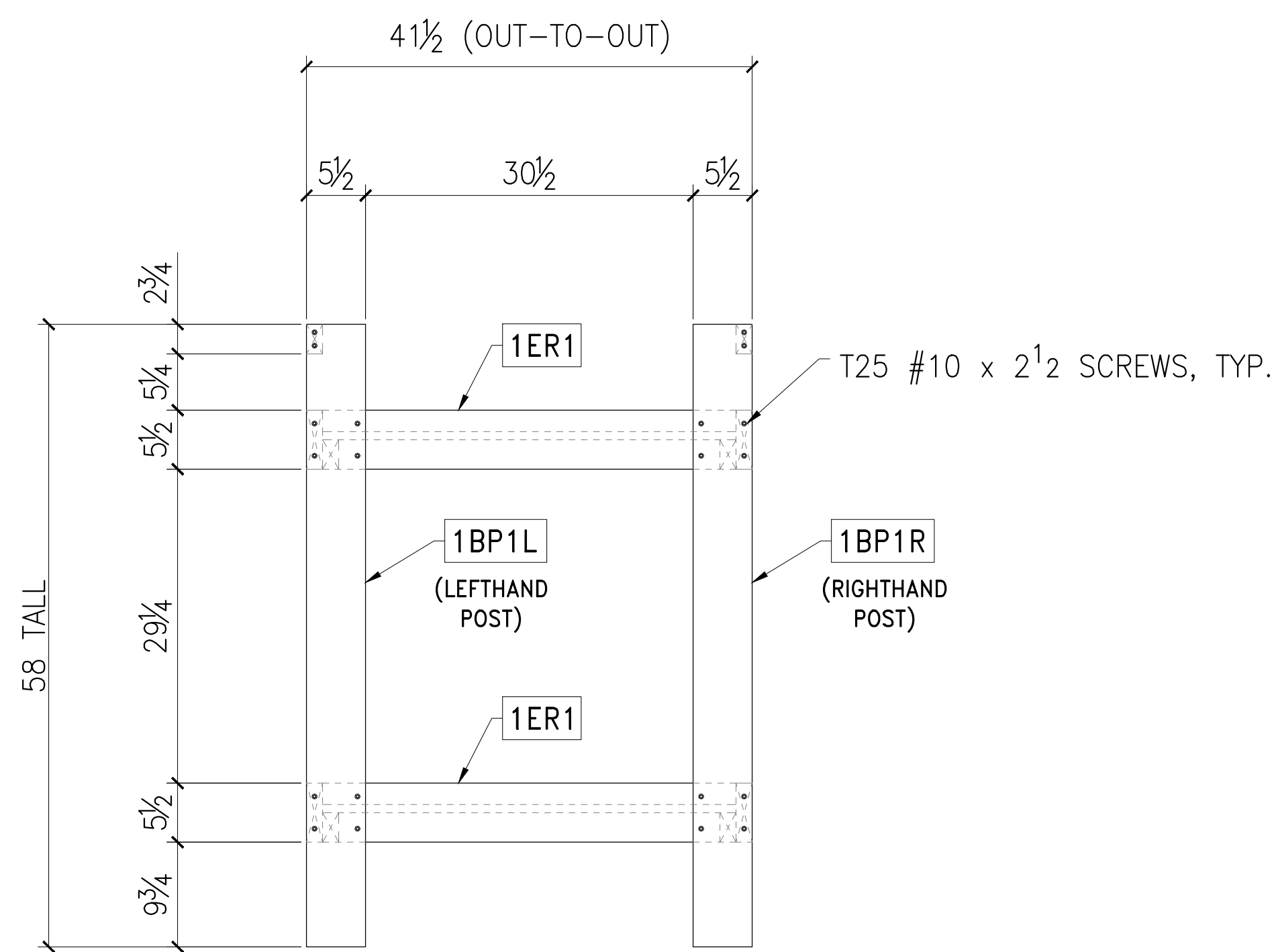
SCALE: 1=1'-0



**2 END ELEVATION VIEW**

SCALE: 1=1'-0

(FOOT END OF BED)



**3 END ELEVATION VIEW**

SCALE: 1=1'-0

(HEAD END OF BED)

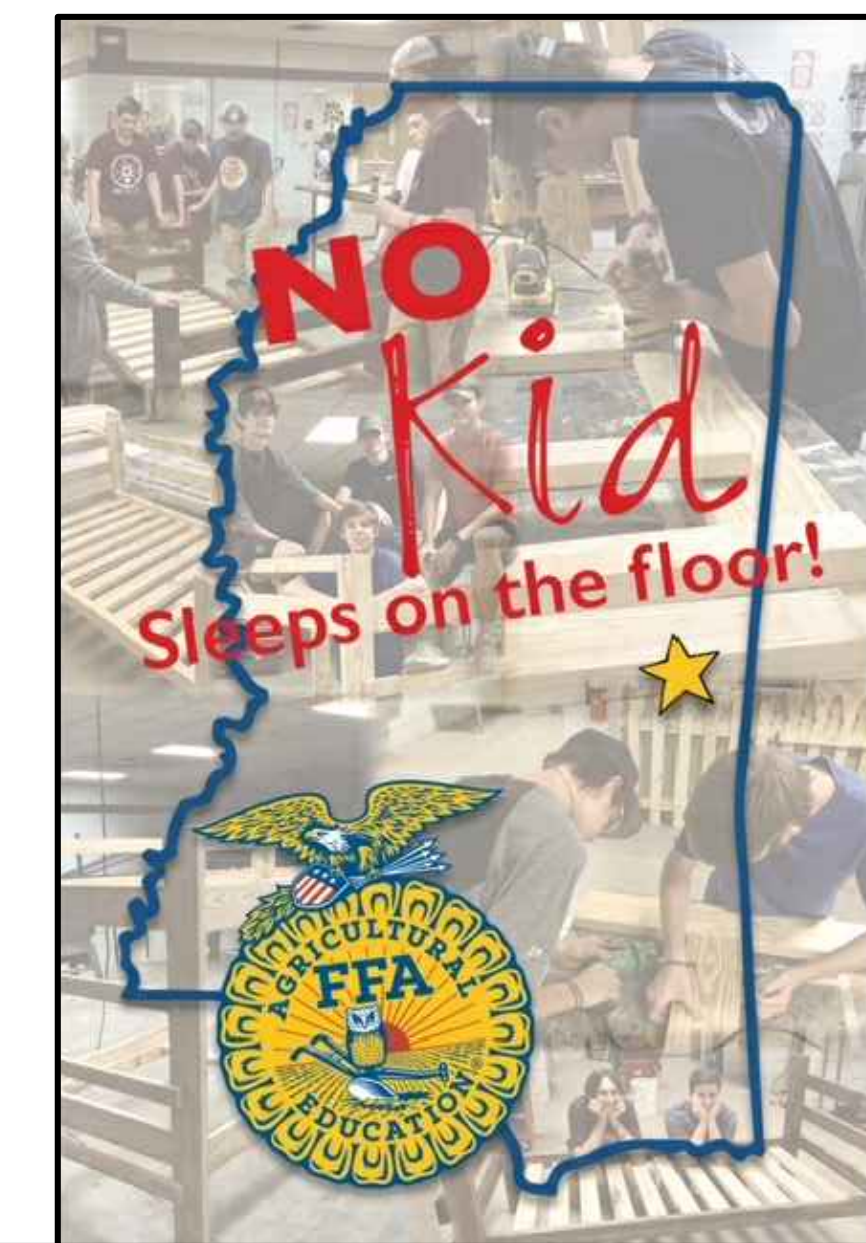
(52) T25 SCREWS REQUIRED FOR ASSEMBLY

**FFA chapters across our state are participating in a statewide service project by building single and bunk beds for children in need. For more information contact the chapter nearest you!**

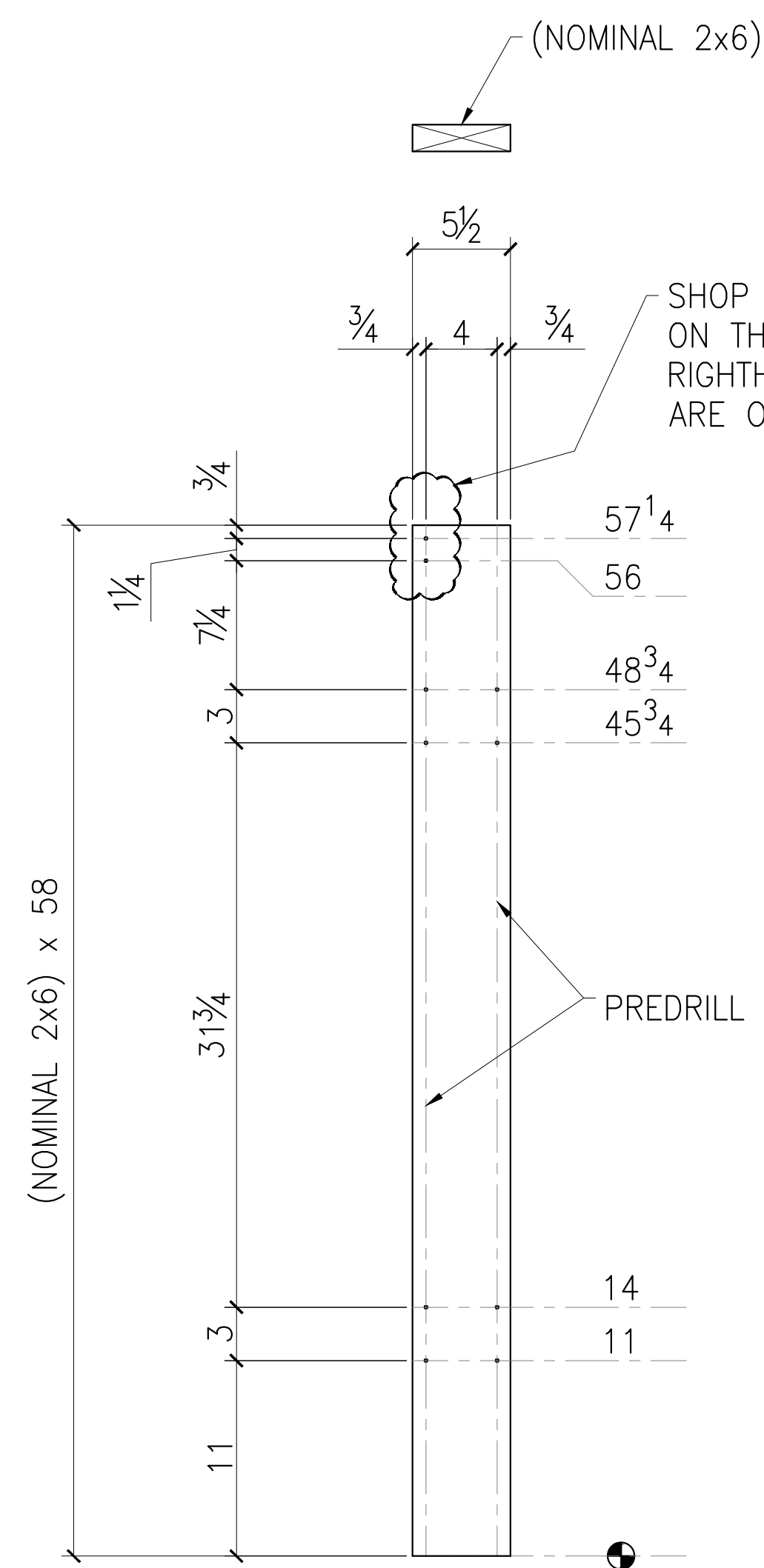
<b>Alcorn: Biggersville High School</b> Ray Nash - 662.288.3342 nashray@alcorn.edu	<b>Lamar: Emerald High School</b> James Roberts - 662.738.4736 robberj@lamar.edu	<b>Newman: Union High School</b> Scott Braddock - 662.774.8257 braddockscott@union.edu
<b>Alcorn: Kossuth High School</b> Brad Colman - 662.288.3651 colmanbrad@alcorn.edu	<b>Lawrence: Clarkdale High School</b> Tom Buchanan - 662.893.4663 buchanan.tom@clarkdale.edu	<b>Pike: North Pike High School</b> Curtis Lammey - 662.276.2175 clammey@northpike.edu
<b>Atlanta: Kennesaw State University</b> Kennesaw State - 662.293.2689 kennesaw@kennesaw.edu	<b>Lawrence: Southeast Building Trades</b> Jeremy Smith - 662.882.6347 jsmith@sebuildingtrades.edu	<b>Prentiss: Jumperman High School</b> Craig Braddock - 662.738.6379 braddockcraig@prentiss.edu
<b>Chickamauga: Chickamauga Center &amp; Technical</b> Karl Turner Bailey - 662.437.7383 kturner@chickamauga.edu	<b>Leban: Leake Central High School</b> Ken Meath - 662.287.9907 kmeath@leake.edu	<b>Rainbow: Brandon High School</b> Kramer Sowell - 662.823.2287 ksowell@rainbow.edu
<b>Forester: Forester Co. AHS</b> Kylie Williams - 662.562.8151 williamskylie@forester.edu	<b>Marshall: Byhalia High School</b> Kenna Taylor - 662.838.2296 ktaylor@marshall.edu	<b>Rainbow: Puckett Attendance Center</b> Patrick Lamson - 662.821.5742 plamson@rainbow.edu
<b>Greene: Greene County Vo-Tech</b> Jack Everett - 662.394.2973 jevett@greene.edu	<b>Marshall: H.W. Ryan</b> Fred Holland - 662.871.7626 fholland@marshall.edu	<b>Rainbow: Simpson Co. CTC</b> Patricia Braddock - 662.847.4900 pbraddock@simpson.edu
<b>Mary: Manning High School</b> Marty Manning - 662.394.2973 manningmarty@manning.edu	<b>Monroe: Amory High School</b> Chad Cooper - 662.275.2688 cooperchad@amory.edu	<b>Smyth: Smythville High School</b> Michael Jones - 662.823.6842 mjones@smythville.edu
<b>Hawkins: Trenton High School</b> Kurtis Holley - 662.652.3361 holleykurtis@trenton.edu	<b>Monroe: Smithville High School</b> Katie Eaton - 662.851.4276 keaton@monroe.edu	<b>Walton: Walton Co. CTC</b> Chris Jackson - 662.222.1000 cjackson@walton.edu
<b>Jackson: East Central High School</b> Bo Long - 228.388.7000 blong@eastcentral.edu	<b>Newton: Newton Central High School</b> David Hoffman - 662.856.3634 dhoffman@newton.edu	<b>Walton: North Wayne High School</b> West Walton - 662.771.8776 west_walton@yahoo.com
<b>Jones: NE Jones High School</b> Chris Hanks - 662.425.2347 hankschris@nejones.edu	<b>Newton: Newton County CTC</b> Tyler Cantel - 662.626.4128 canteltyler@newton.edu	<b>Walton: Mangrove High School</b> Kevin Hollingsworth - 662.724.4241 khollingsworth@walton.edu
<b>Jones: West Jones High School</b> Ken Parker - 662.728.8164 parkerken@westjones.edu	<b>Newton: Newton County CTC</b> Jill Wagner - 662.626.4128 jwagner@newton.edu	<b>Walton: Carthage High School</b> Anthony Mason - 662.675.8954 amason@carthage.edu



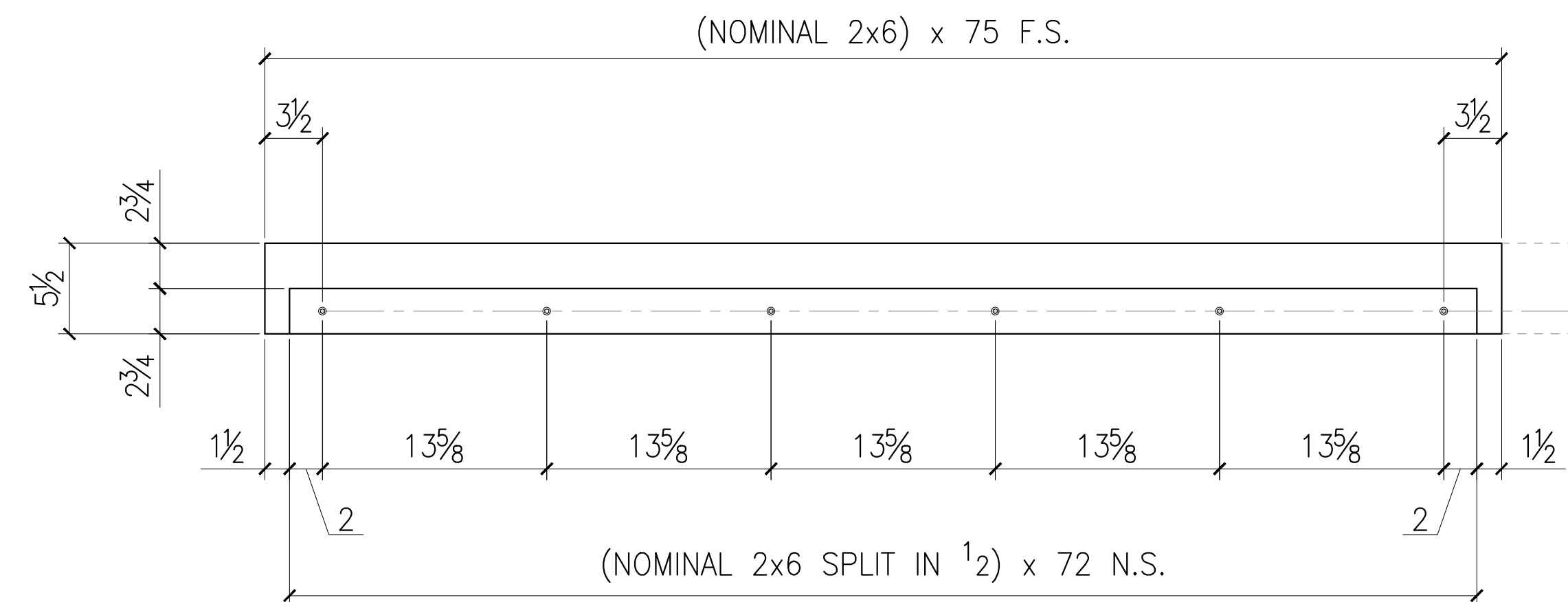
**NO Kid Sleeps on the floor!**



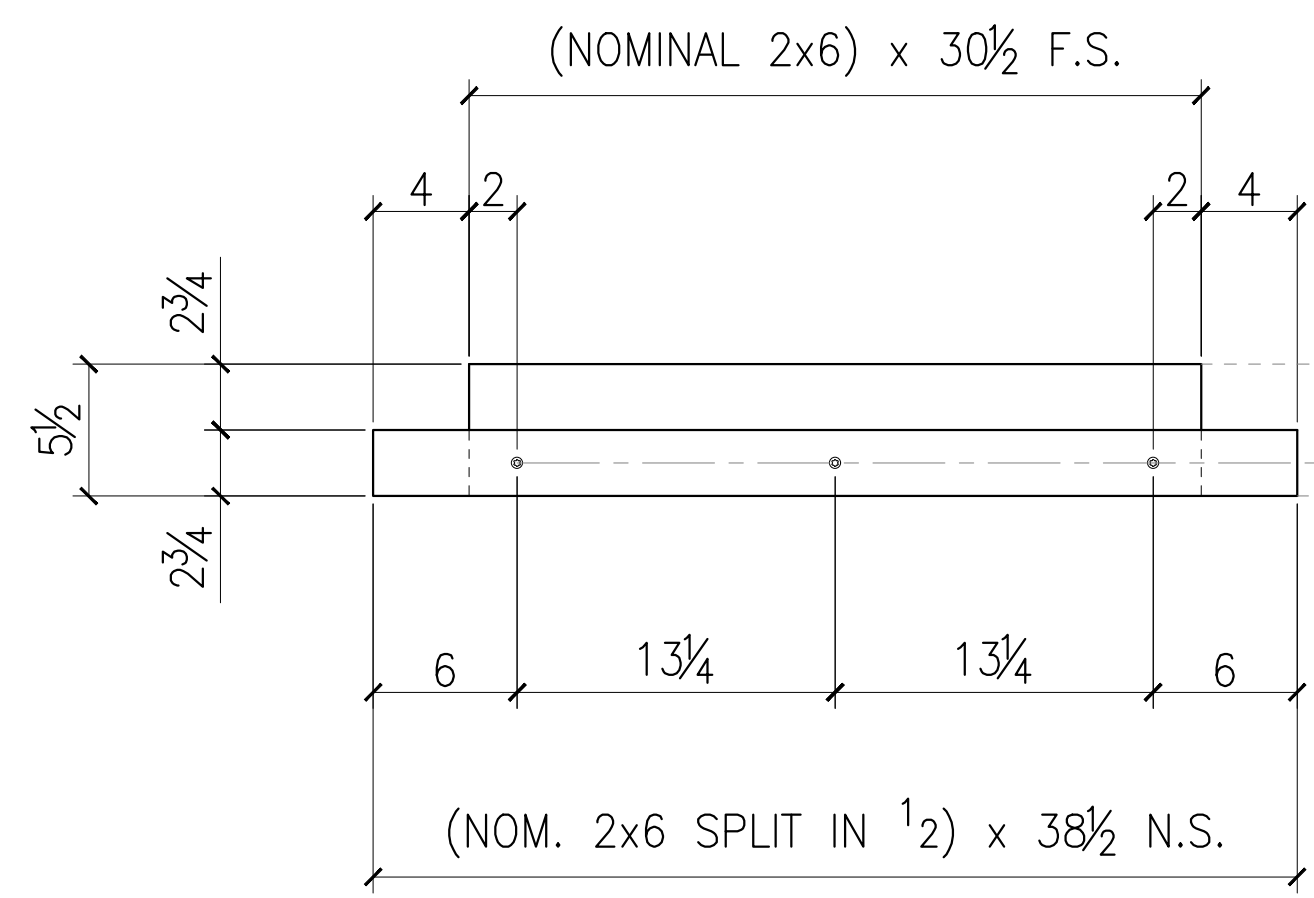
FFA PROJECT	
WOODEN BUNK BED ASSEMBLY DRAWING	
DRAWN BY:	JGG
DATE:	10/01/18
DRAWING NO.	A1



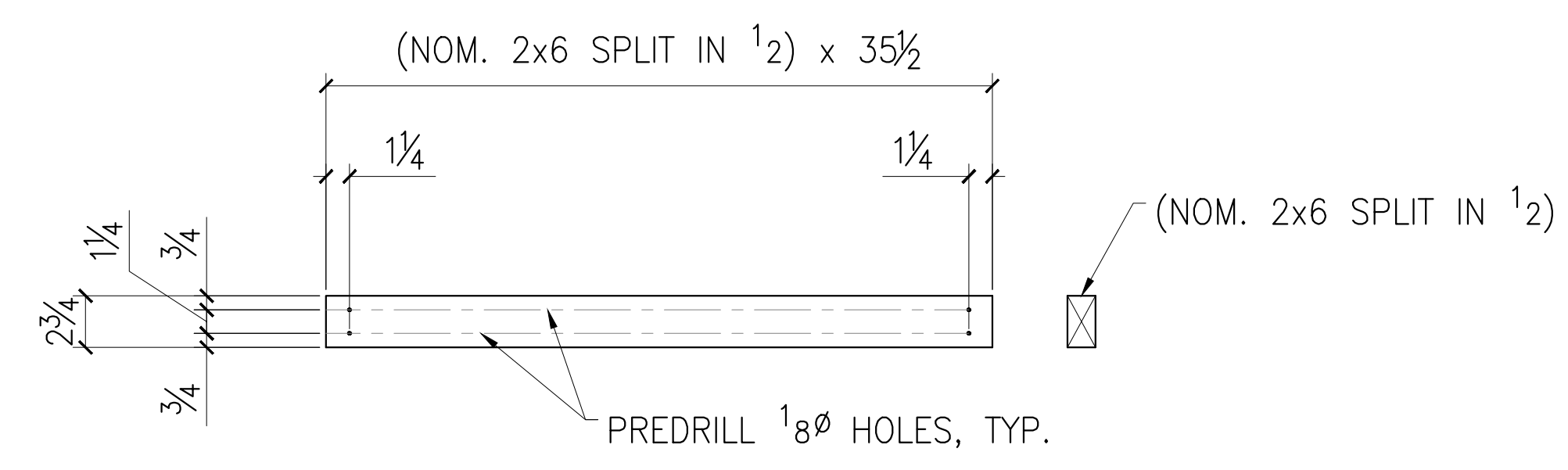
**(2L-2R) - BED POSTS - 1BP1L**  
 REF: A1 SCALE: 1 1/2=1'-0  
 (LEFTHAND POST AS SHOWN)



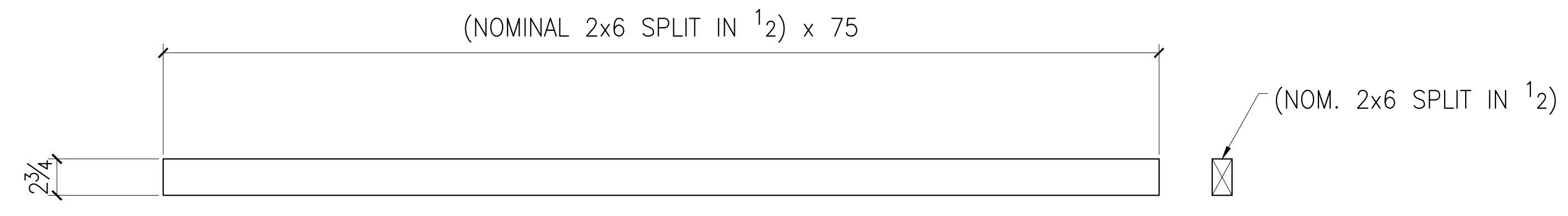
**4 - SIDE RAILS - 1SR1**  
 REF: A1 SCALE: 1 1/2=1'-0



**4 - END RAILS - 1ER1**  
 REF: A1 SCALE: 1 1/2=1'-0



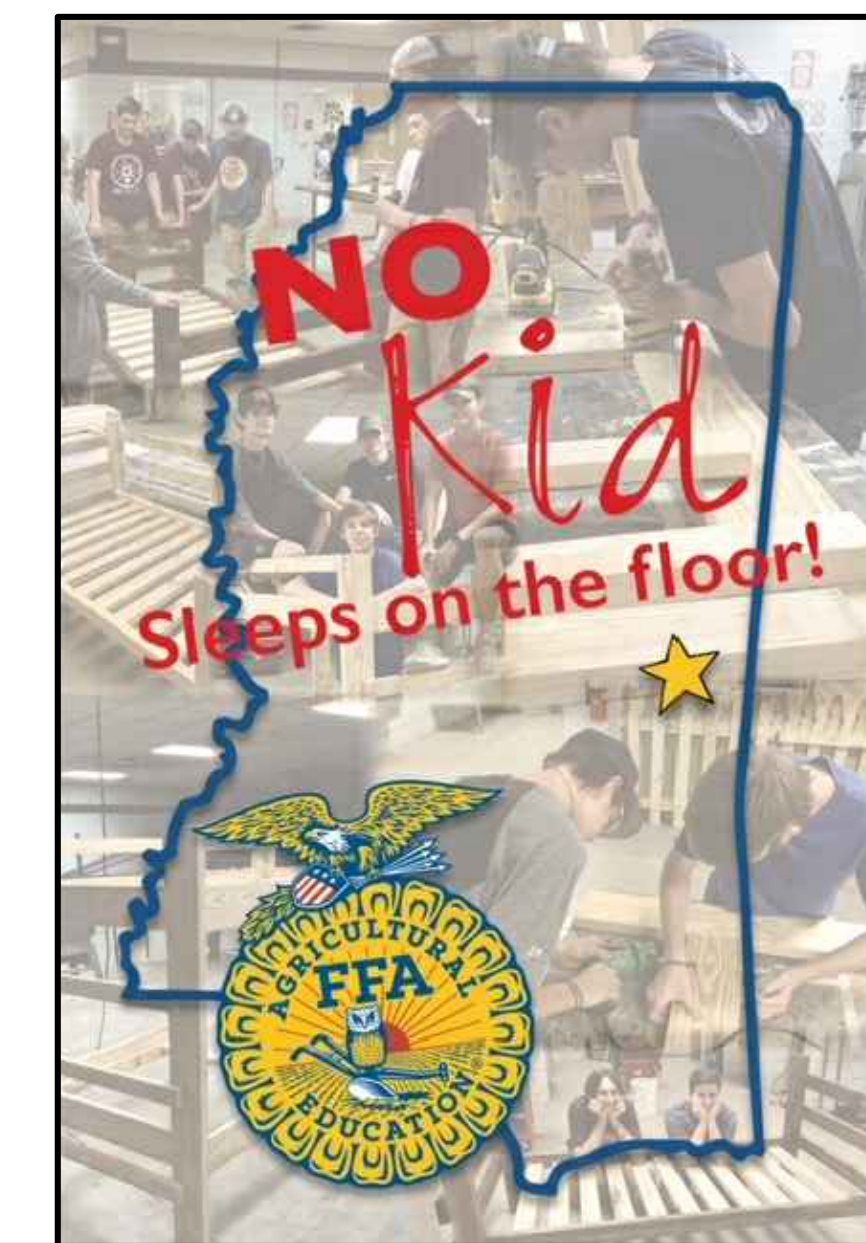
**3 - LADDER RUNGS - 1LR1**  
 REF: A1 SCALE: 1 1/2=1'-0



**2 - TOP RAILS - 1TR1**  
 REF: A1 SCALE: 1 1/2=1'-0

**DRAWING NOTES:**  
 NOMINAL 2x6 LUMBER - ACTUAL SIZE 1 1/2" x 5 1/2"  
 F.S. - FAR SIDE  
 N.S. - NEAR SIDE

BILL OF MATERIAL					
QTY	PIECE MARK	SUB QTY	MATERIAL DESCRIPTION	FT	IN
2 <sup>L</sup> -2 <sup>R</sup>	1BP1 <sup>R/L</sup>	-	BED POSTS		
		4	NOMINAL 2x6 LUMBER	4	10
4	1SR1	-	SIDE RAILS		
		4	NOMINAL 2x6 LUMBER	6	3
		4	NOMINAL 2x6 SPLIT LUMBER	6	0
		24	T25 #10 x 2 1/2 SCREWS		
4	1ER1	-	END RAILS		
		4	NOMINAL 2x6 LUMBER	2	6 1/2
		4	NOMINAL 2x6 SPLIT LUMBER	3	2 1/2
		12	T25 #10 x 2 1/2 SCREWS		
3	1LR1	-	LADDER RUNGS		
		3	NOMINAL 2x6 SPLIT LUMBER	2	11 1/2
2	1TR1	-	TOP RAILS		
		2	NOMINAL 2x6 SPLIT LUMBER	6	3
			SHIP LOOSE ITEMS		
2	1MS1	-	MATTRESS SUPPORTS		
		2	3/4 MDF x 38 1/2	6	3



FFA PROJECT	
WOODEN BUNK BED DETAIL DRAWING	
DRAWN BY:	JGG
DATE:	10/01/18
DRAWING NO.	1